

# Inlet Report

## <Name>

### Combination Inlet

|                    |        |
|--------------------|--------|
| Location           | = Sag  |
| Curb Length (ft)   | = 4.00 |
| Throat Height (in) | = 6.00 |
| Grate Area (sqft)  | = 2.45 |
| Grate Width (ft)   | = 1.00 |
| Grate Length (ft)  | = 2.45 |

### Gutter

|                   |         |
|-------------------|---------|
| Slope, Sw (ft/ft) | = 0.080 |
| Slope, Sx (ft/ft) | = 0.020 |
| Local Depr (in)   | = -0-   |
| Gutter Width (ft) | = 2.00  |
| Gutter Slope (%)  | = -0-   |
| Gutter n-value    | = -0-   |

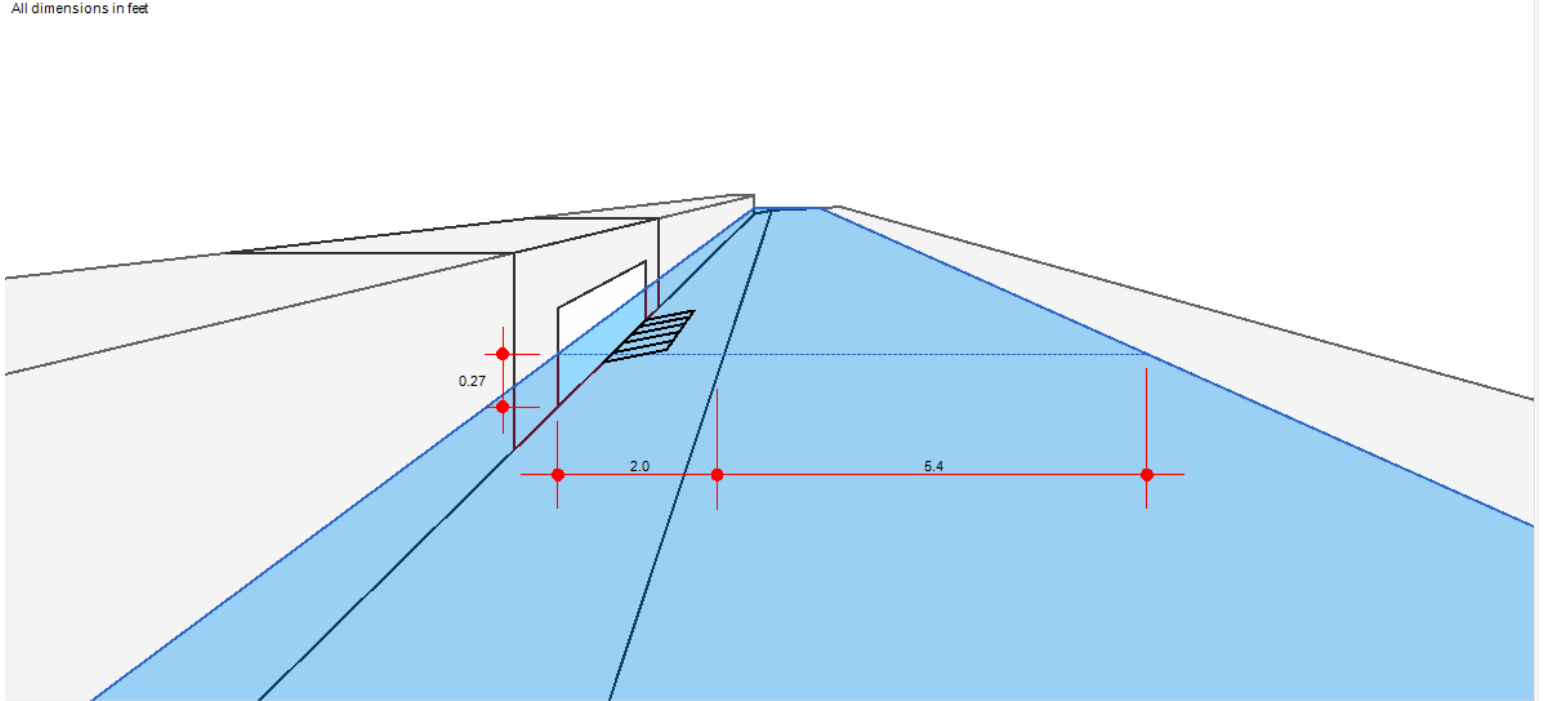
### Calculations

|             |         |
|-------------|---------|
| Compute by: | Known Q |
| Q (cfs)     | = 1.76  |

### Highlighted

|                     |        |
|---------------------|--------|
| Q Total (cfs)       | = 1.76 |
| Q Capt (cfs)        | = 1.76 |
| Q Bypass (cfs)      | = -0-  |
| Depth at Inlet (in) | = 3.21 |
| Efficiency (%)      | = 100  |
| Gutter Spread (ft)  | = 7.40 |
| Gutter Vel (ft/s)   | = -0-  |
| Bypass Spread (ft)  | = -0-  |
| Bypass Depth (in)   | = -0-  |

All dimensions in feet



# Inlet Report

## <Name>

### Combination Inlet

|                    |        |
|--------------------|--------|
| Location           | = Sag  |
| Curb Length (ft)   | = 4.00 |
| Throat Height (in) | = 6.00 |
| Grate Area (sqft)  | = 2.45 |
| Grate Width (ft)   | = 1.00 |
| Grate Length (ft)  | = 2.45 |

### Gutter

|                   |         |
|-------------------|---------|
| Slope, Sw (ft/ft) | = 0.080 |
| Slope, Sx (ft/ft) | = 0.020 |
| Local Depr (in)   | = -0-   |
| Gutter Width (ft) | = 2.00  |
| Gutter Slope (%)  | = -0-   |
| Gutter n-value    | = -0-   |

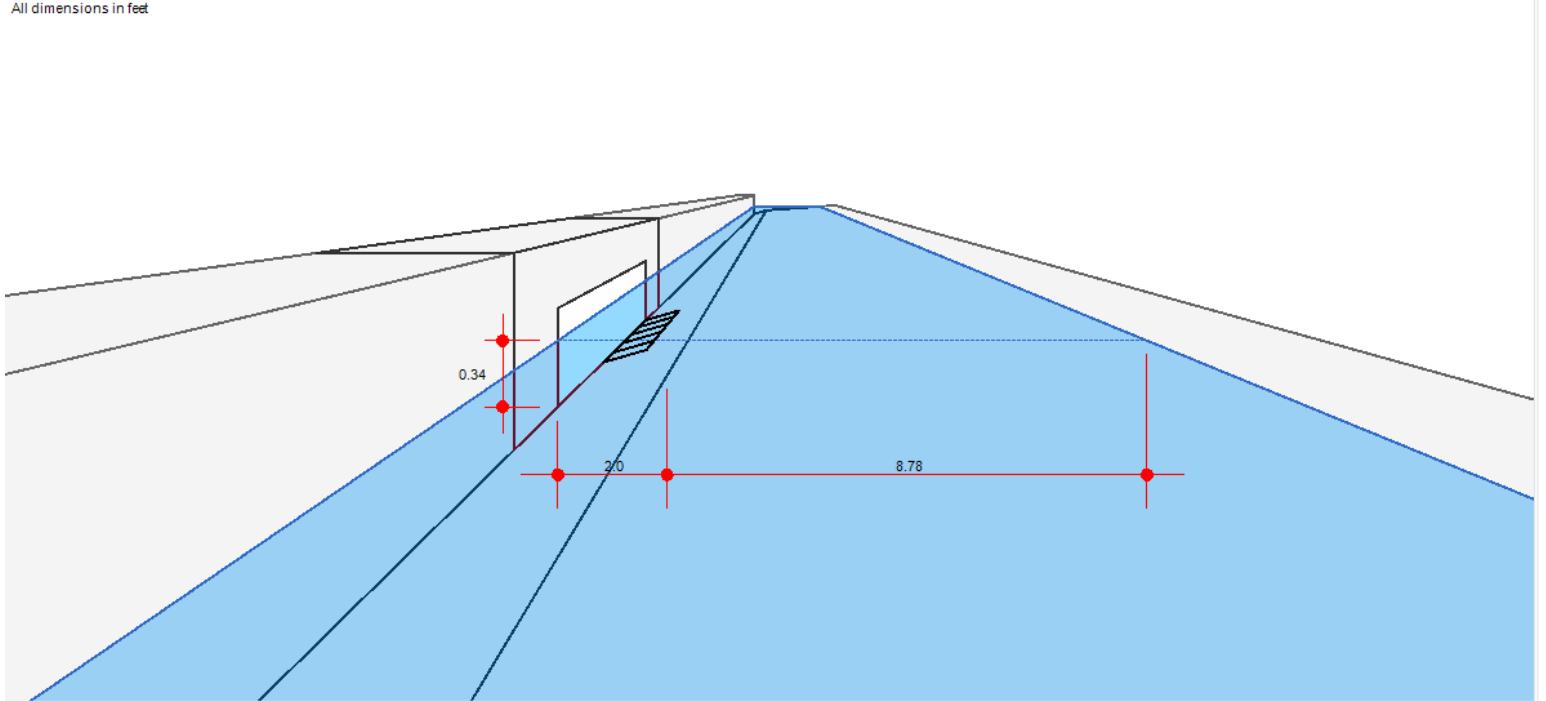
### Calculations

|             |         |
|-------------|---------|
| Compute by: | Known Q |
| Q (cfs)     | = 2.91  |

### Highlighted

|                     |         |
|---------------------|---------|
| Q Total (cfs)       | = 2.91  |
| Q Capt (cfs)        | = 2.91  |
| Q Bypass (cfs)      | = -0-   |
| Depth at Inlet (in) | = 4.03  |
| Efficiency (%)      | = 100   |
| Gutter Spread (ft)  | = 10.78 |
| Gutter Vel (ft/s)   | = -0-   |
| Bypass Spread (ft)  | = -0-   |
| Bypass Depth (in)   | = -0-   |

All dimensions in feet



# Inlet Report

## <Name>

### Combination Inlet

|                    |        |
|--------------------|--------|
| Location           | = Sag  |
| Curb Length (ft)   | = 4.00 |
| Throat Height (in) | = 6.00 |
| Grate Area (sqft)  | = 2.45 |
| Grate Width (ft)   | = 1.00 |
| Grate Length (ft)  | = 2.45 |

### Gutter

|                   |         |
|-------------------|---------|
| Slope, Sw (ft/ft) | = 0.080 |
| Slope, Sx (ft/ft) | = 0.020 |
| Local Depr (in)   | = -0-   |
| Gutter Width (ft) | = 2.00  |
| Gutter Slope (%)  | = -0-   |
| Gutter n-value    | = -0-   |

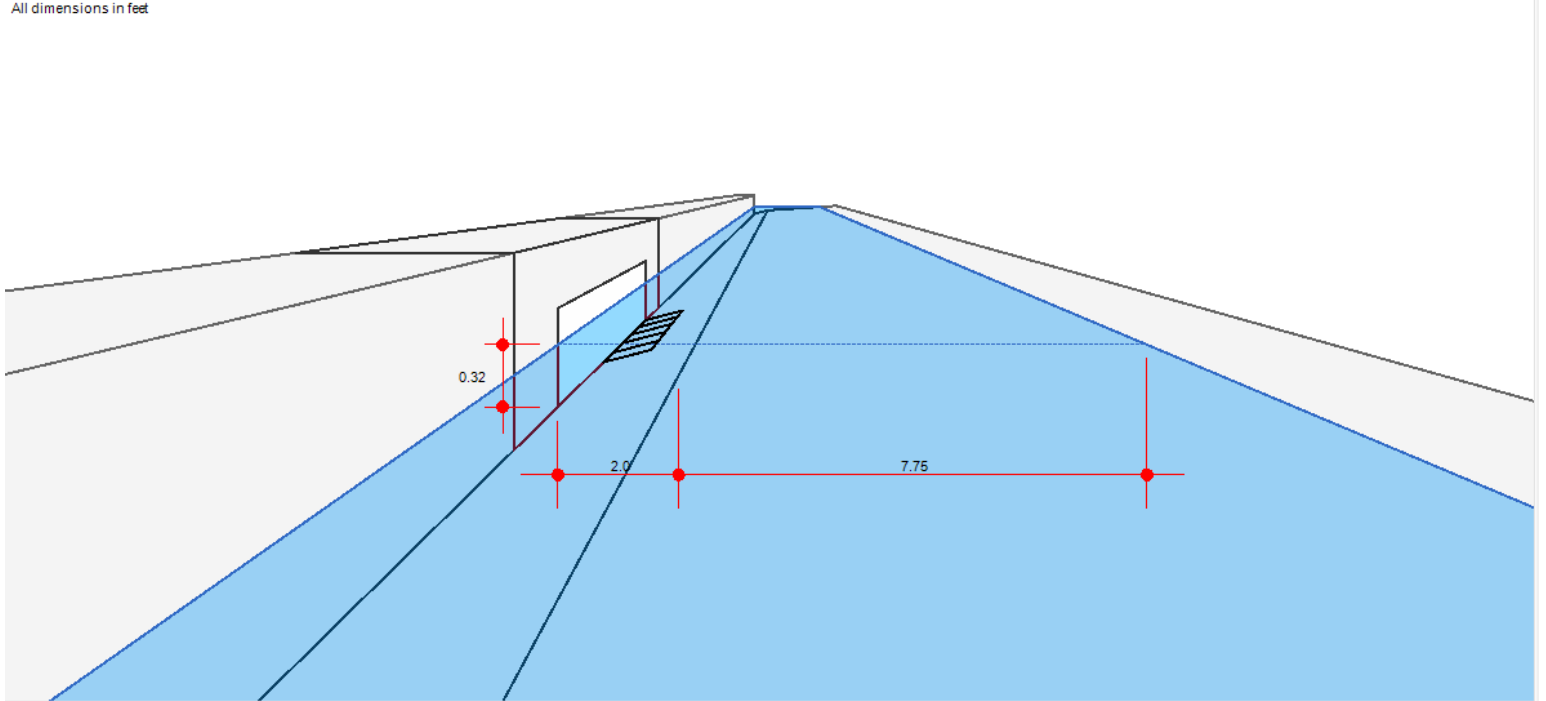
### Calculations

|             |         |
|-------------|---------|
| Compute by: | Known Q |
| Q (cfs)     | = 2.54  |

### Highlighted

|                     |        |
|---------------------|--------|
| Q Total (cfs)       | = 2.54 |
| Q Capt (cfs)        | = 2.54 |
| Q Bypass (cfs)      | = -0-  |
| Depth at Inlet (in) | = 3.78 |
| Efficiency (%)      | = 100  |
| Gutter Spread (ft)  | = 9.75 |
| Gutter Vel (ft/s)   | = -0-  |
| Bypass Spread (ft)  | = -0-  |
| Bypass Depth (in)   | = -0-  |

All dimensions in feet



# Inlet Report

## <Name>

### Combination Inlet

|                    |        |
|--------------------|--------|
| Location           | = Sag  |
| Curb Length (ft)   | = 4.00 |
| Throat Height (in) | = 6.00 |
| Grate Area (sqft)  | = 2.45 |
| Grate Width (ft)   | = 1.00 |
| Grate Length (ft)  | = 2.45 |

### Gutter

|                   |         |
|-------------------|---------|
| Slope, Sw (ft/ft) | = 0.080 |
| Slope, Sx (ft/ft) | = 0.020 |
| Local Depr (in)   | = -0-   |
| Gutter Width (ft) | = 2.00  |
| Gutter Slope (%)  | = -0-   |
| Gutter n-value    | = -0-   |

### Calculations

|             |         |
|-------------|---------|
| Compute by: | Known Q |
| Q (cfs)     | = 4.95  |

### Highlighted

|                     |         |
|---------------------|---------|
| Q Total (cfs)       | = 4.95  |
| Q Capt (cfs)        | = 4.95  |
| Q Bypass (cfs)      | = -0-   |
| Depth at Inlet (in) | = 5.24  |
| Efficiency (%)      | = 100   |
| Gutter Spread (ft)  | = 15.82 |
| Gutter Vel (ft/s)   | = -0-   |
| Bypass Spread (ft)  | = -0-   |
| Bypass Depth (in)   | = -0-   |

All dimensions in feet

